

5.7 MW GAS TURBINE MOBILE POWER UNIT



RENTAL POWER WHEN AND WHERE YOU NEED IT

The Taurus 60 Mobile Power Unit (T60 MPU) is the answer to your need for short term generating capacity that is both economical and environmentally friendly. Designed as an on-site generating system where low emissions, fast setup and reliable operation are critical, the T60 MPU is based on the proven Solar® 5.7 MW Taurus™ 60 gas turbine generator set and includes these key features:

EASY TO INSTALL AND RELOCATE

- Highway Transportable
- Modular Design for Quick Setup and Connection
- No Concrete Foundation Required
- Compact Footprint to Minimize Space Requirements
- CSA Certified

ENVIRONMENTALLY FRIENDLY

- Low Emissions, State-of-the-Art SoLoNOx™ (Dry Low NOx) Combustion System
- No Visible Emissions
- Sound Attenuation Package for Quiet Operation
- Low Profile Design to Minimize Installed Height
- Easy to Permit

FLEXIBLE SOLUTION

- Leasing and Rental Options Available
- 5.7 MW, 13.8kV @ 60 Hz or 5.7MW, 11kV @ 50 Hz
- Fuel Flexibility, Gas or Diesel with Dual Fuel Option

COMPLETE SYSTEMS SOLUTION

- Set-up and Commissioning
- Site Preparation (if needed)
- Ancillary Support Systems (if needed)
- Wide Range of Product Support Programs

OPERATIONAL FEATURES

- Dispatchable to be On Line in Six Minutes (from cold start)
- Range of Control System Options for Remote Operation and SCADA Integration
- Utility Grade Switchgear and Protective Relay Module
- KVAR Control for Excellent Reactive Power Control Capability

877.291.3354 | dpsenergy.com

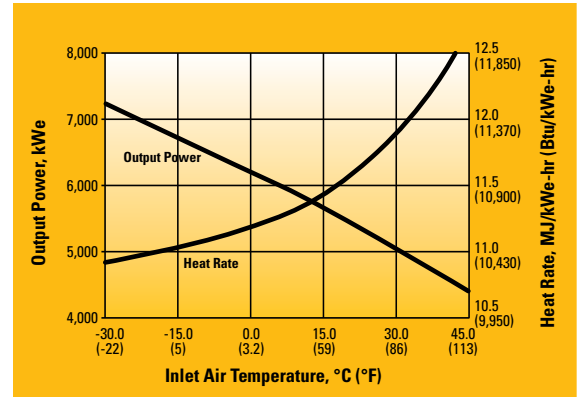
**DISTRIBUTED
POWER
SOLUTIONS**

TAURUS 60 5.7 MW MOBILE POWER UNIT

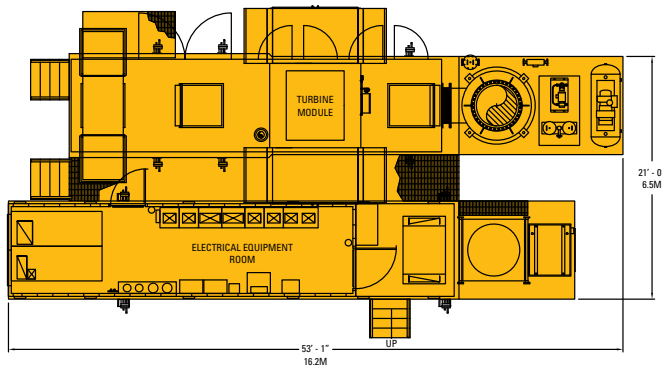
NOMINAL GENERATOR SET PERFORMANCE

At the core of the Mobile Power Unit is the 5.7 MW Taurus 60 industrial gas turbine. The Mobile Power Unit combines the features and benefits of the proven Taurus 60 industrial gas turbine with a mobile system that is easy to relocate and connect.

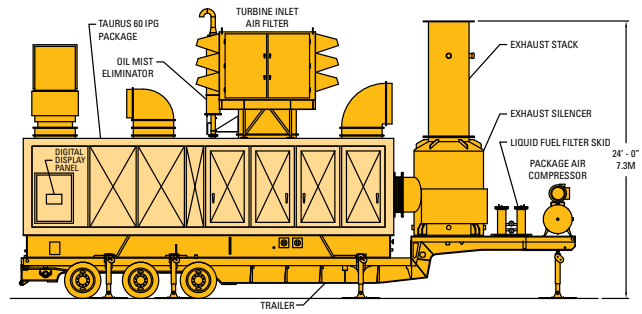
Output Power, kW ISO: 15°C (59°F), sea level	Heat Rate, (Btu/kW-hr)
5,670 kWe	11,425 kJ/kWe-hr (10,830 Btu/kWe-hr)



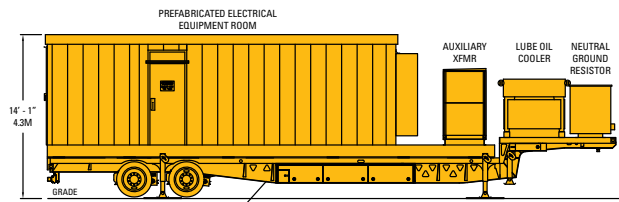
TYPICAL DIMENSIONS



INSTALLATION PLAN VIEW



GENERATOR SET MODULE



ELECTRICAL EQUIPMENT ROOM

COUNT ON US
FOR YOUR MOBILE POWER NEEDS

877.291.3354 | dpsenergy.com

**DISTRIBUTED
POWER
SOLUTIONS**